

Sukkah Depot™

7"02

The EZ Lock Sukkah Line
Premium • Royal • Classic



1-855-SUKKAH-1
www.sukkahdepot.com

Table of contents

Thank you for purchasing the EZ Sukkah from Sukkah Depot.

Our Sukkot were designed and developed in accordance with the highest Halachic standards.

The Sukkah you purchased was manufactured using top quality materials and was tested to ensure endurance for many years.

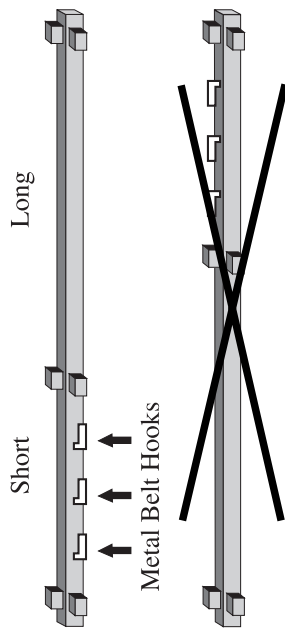
General instructions _____	3
Assembly of Sukkah 4'x6', 6'x8' _____	4
Assembly of Sukkah 8'x10', 8'x12' _____	5
Assembly of Sukkah 10'x12', 10'x16', 12'x20' _____	7
Attaching the fabric _____	9
Laying the Schach _____	10

General instructions

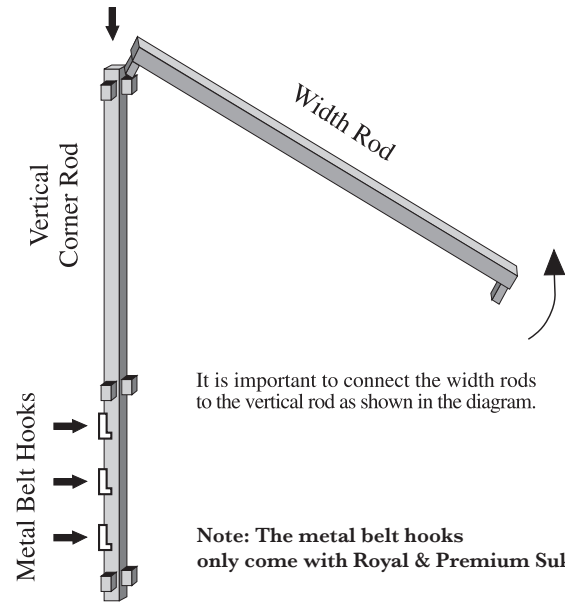
In this instruction booklet we recommend a method for constructing the Sukkah that we think is the easiest, fastest and most convenient. However, you can use any other method that achieves the desired result.

When planning placement of the Sukkah, please take into consideration that it is recommended to place the door on the right side of the long wall.

To avoid any damage to the metal frames, we recommend using a rubber mallet to connect the rods.



Every vertical rod is divided into two unequal parts, long and short. Make sure when attaching the vertical rod that the shorter part is at the bottom.



It is important to connect the width rods to the vertical rod as shown in the diagram.

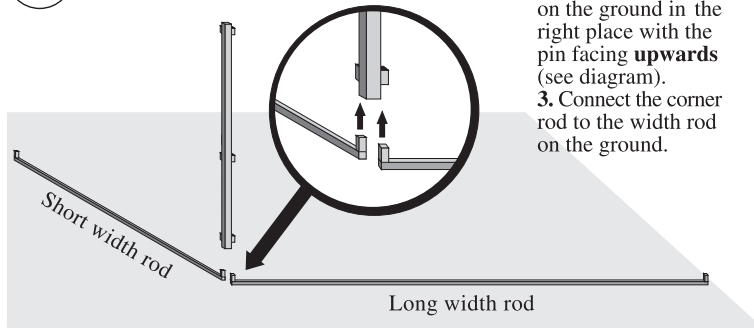
Note: The metal belt hooks only come with Royal & Premium Sukkahs.

Sukkah 4'x6', 6'x8'

Step 1: Assembly of the Sukkah frame

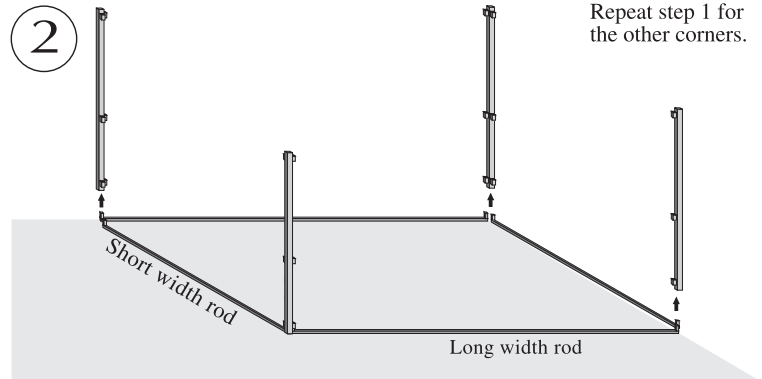
Sukkah size	Box A Vertical rods	Box B	Box C
4' x 6'	Four corner rods	Six 4' width rods	Five 6' width rods
6' x 8'		Five 8' width rods	Six 6' width rods

1

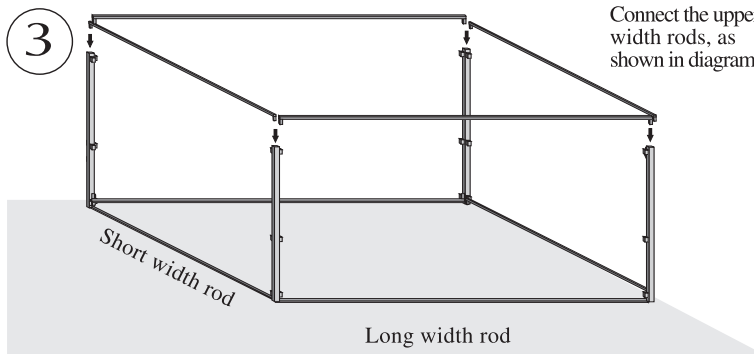


1. Start assembly at the corner.
2. Place the width rods on the ground in the right place with the pin facing **upwards** (see diagram).
3. Connect the corner rod to the width rod on the ground.

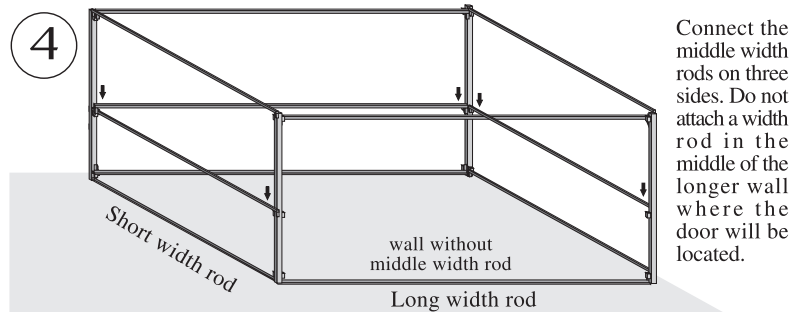
2



3



4



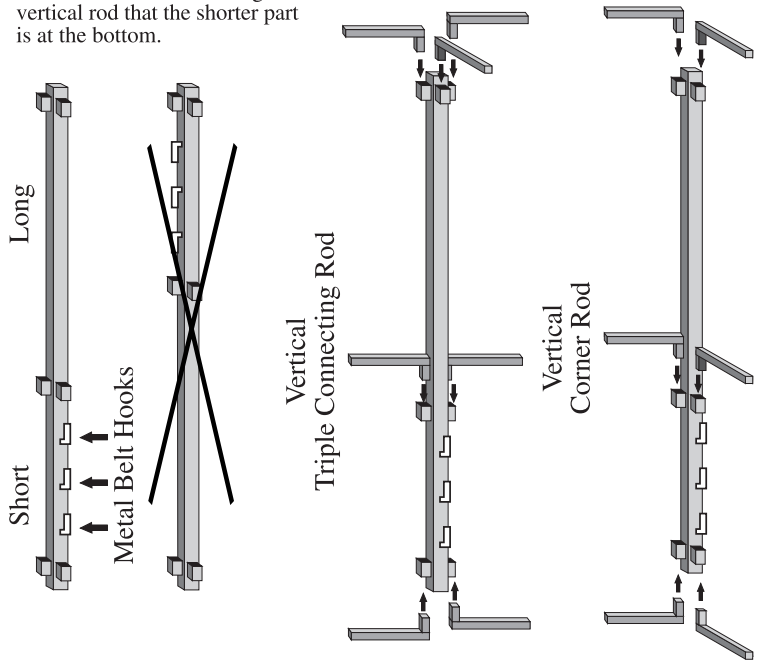
Congratulations, you have finished constructing the frame of the Sukkah. For instructions on attaching the fabric please refer to page 9.

Sukkah 8'x10', 8'x12'

Step 1: Assembly of the Sukkah frame

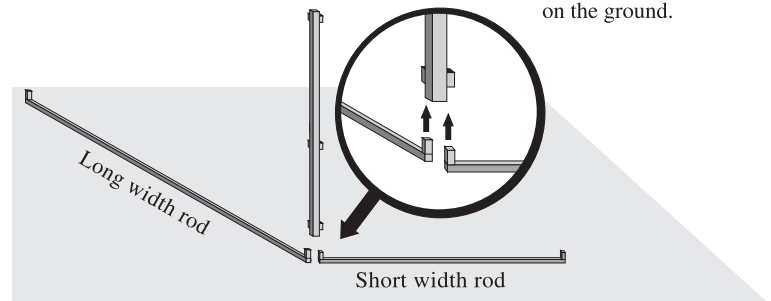
Sukkah size	Box A Vertical rods	Box B	Box C
8'x10'	Four corner rods + Two triple connecting rods	Eleven 5' width rods	Seven 8' width rods
8'x12'		Eleven 6' width rods	Seven 8' width rods

Every vertical rod is divided into two unequal parts, long and short. Make sure when attaching the vertical rod that the shorter part is at the bottom.

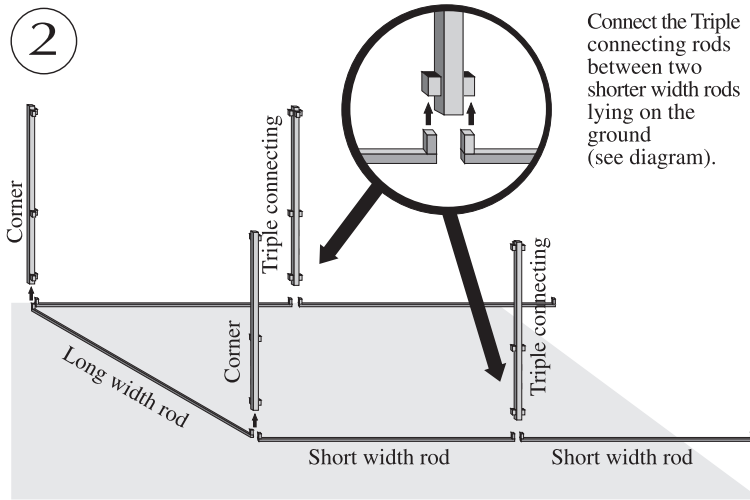


1

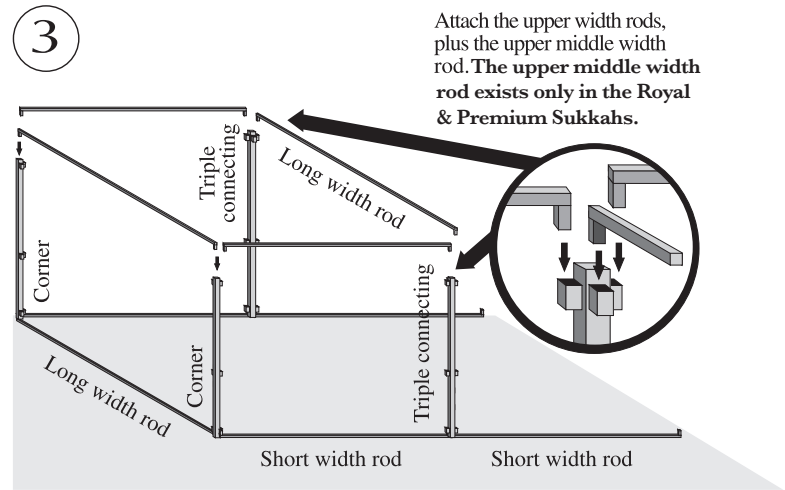
1. Start assembly at the corner.
2. Place the width rods on the ground in the right place with the pin facing **upwards** (see diagram).
3. Connect the corner rod to the width rod on the ground.



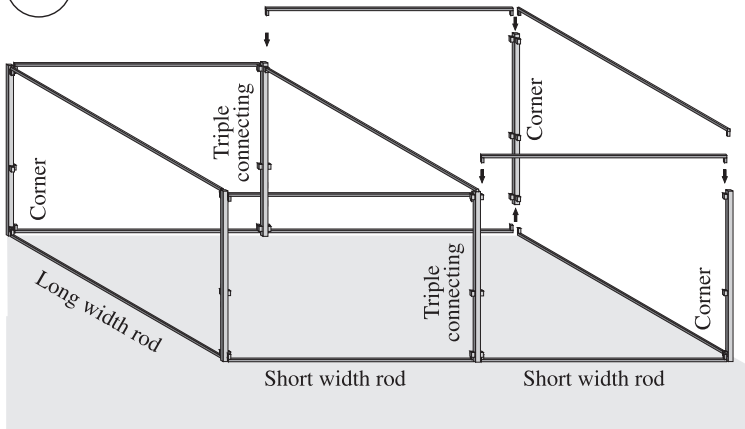
2



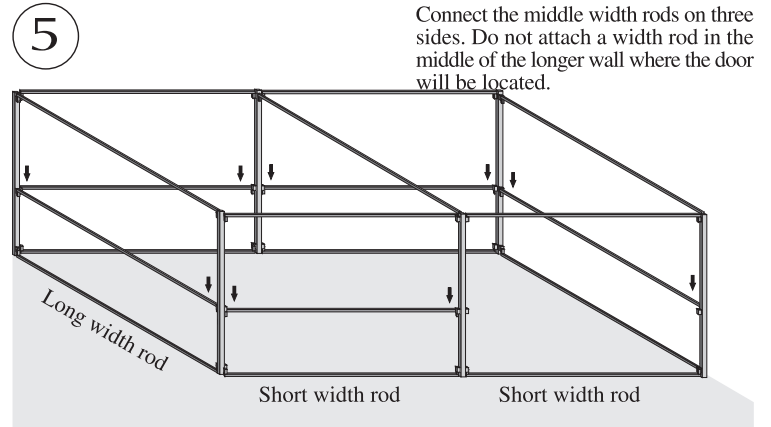
3



4



5



Congratulations, you have finished constructing the frame of the Sukkah. For instructions on attaching the fabric please refer to page 9.

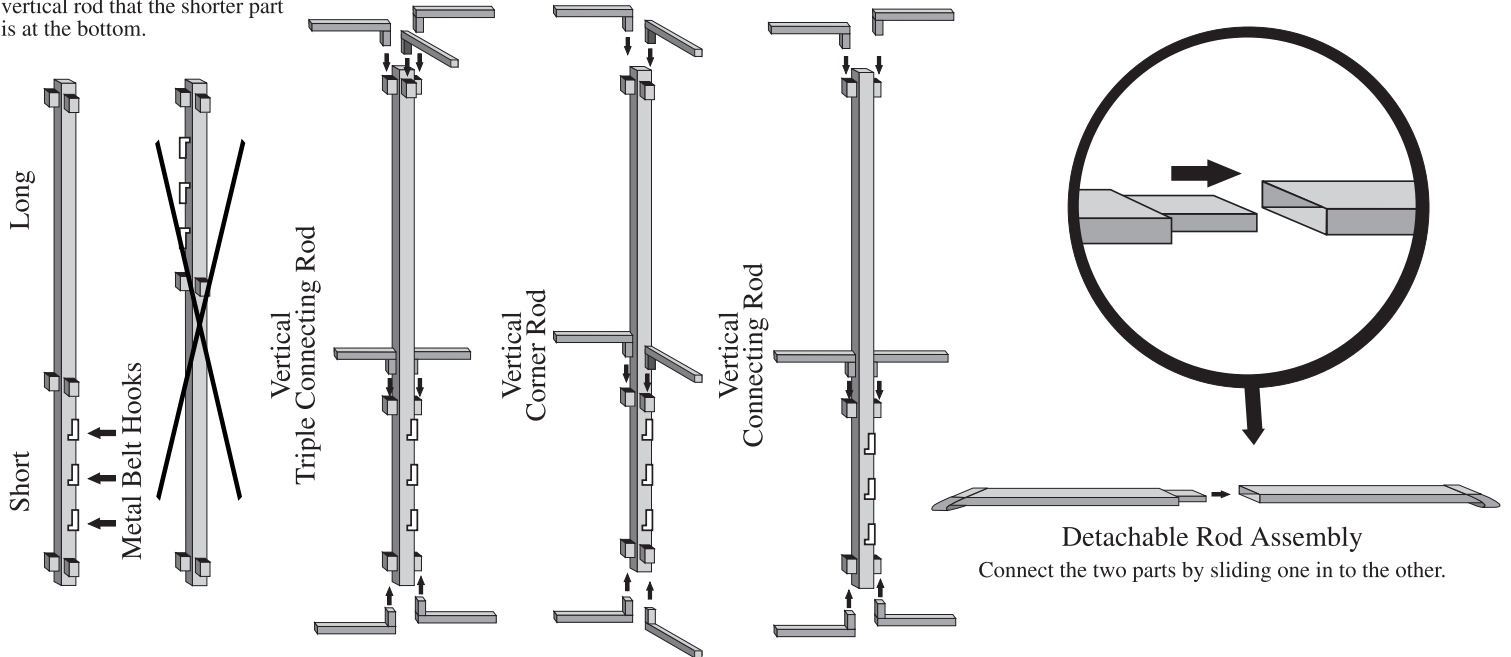
Sukkah

10'x12', 10'x16', 12'x20'

Step 1: Assembly of the Sukkah frame

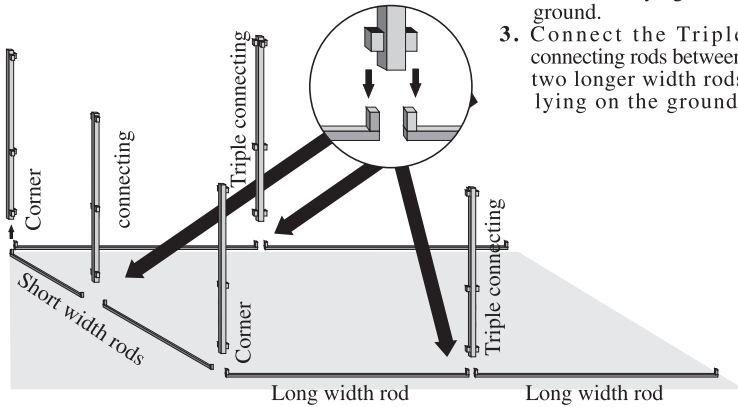
Sukkah size	Box A Vertical rods	Box B	Box C
10'x12'	Four corner rods+Two triple connecting rods+Two connecting rods	Eleven 6' width rods+Detachable 10' rod	Twelve 5' width rods
10'x16'		Eleven 8' width rods+Detachable 10' rod	Twelve 5' width rods
12'x20'		B1	B2
		Five 10' width rods+Detachable 12' rod	Six 10' width rods

Every vertical rod is divided into two unequal parts, long and short. Make sure when attaching the vertical rod that the shorter part is at the bottom.



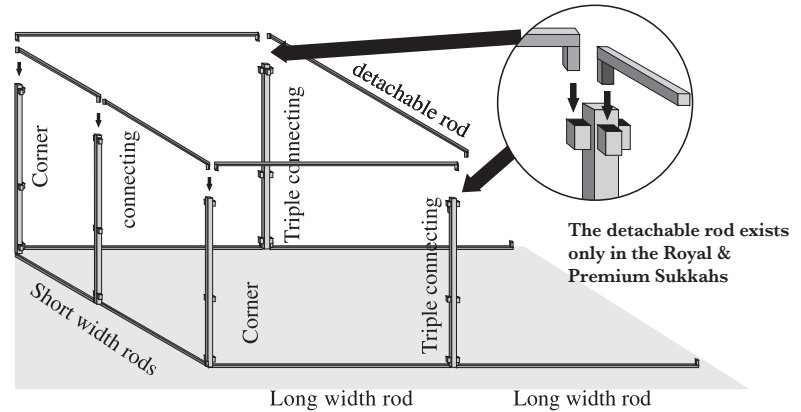
Assembly instructions

1

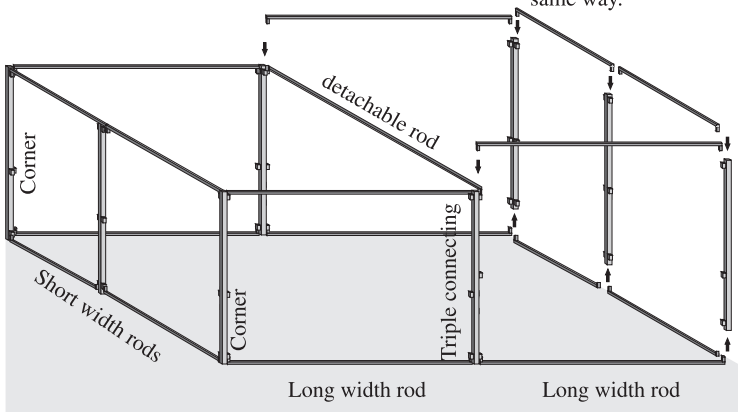


1. Connect any corner first.
2. Connect the connecting rods between two shorter width rods lying on the ground.
3. Connect the Triple connecting rods between two longer width rods lying on the ground.

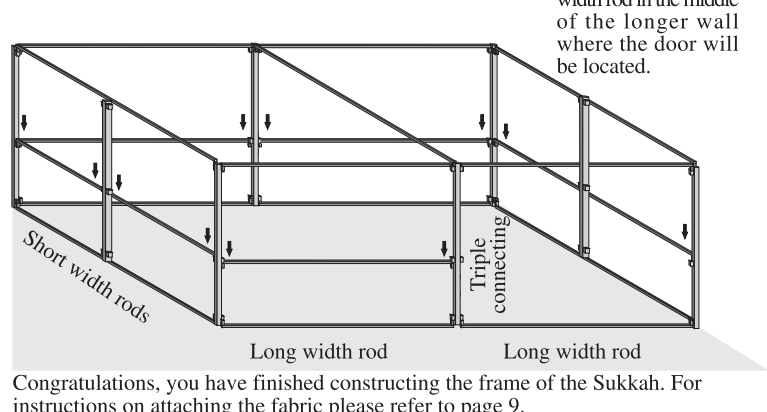
2



3



4

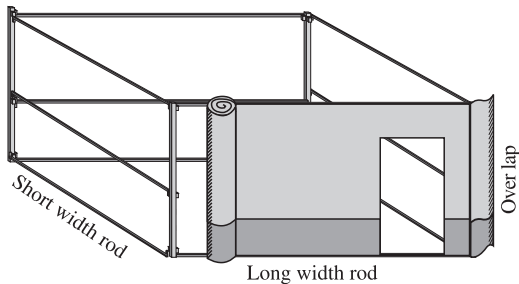
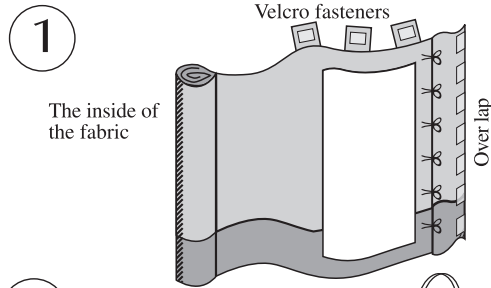


Congratulations, you have finished constructing the frame of the Sukkah. For instructions on attaching the fabric please refer to page 9.

Step 2: Attaching the fabric

CLASSIC AND ROYAL SUKKAH :

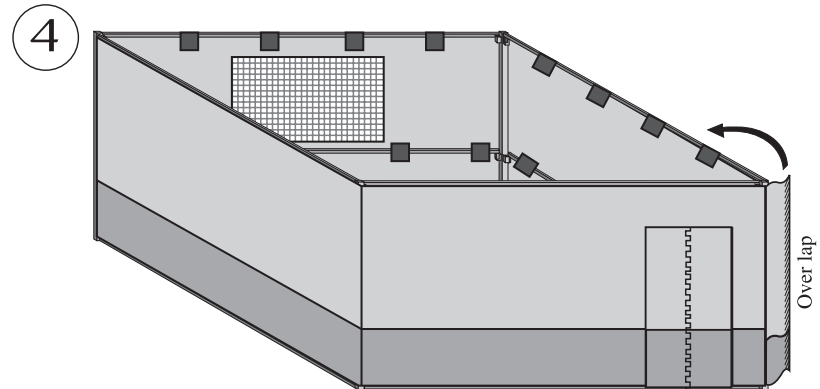
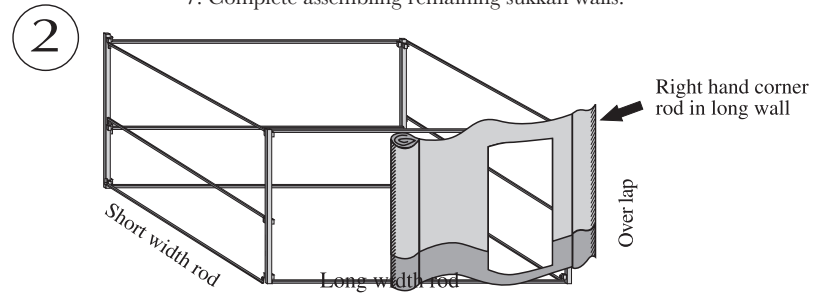
1. Unpack the fabric. For your convenience we recommend spreading it on a clean surface.
2. Find the door and position it as shown in *Diagram 1*. Spread around the Sukkah.
(Please ensure that the bright part is on top and the dark part is on the bottom.)
3. Use the strings to attach the beginning (the door) of the fabric to the right corner of the long wall. *Diagram 2*
4. Start wrapping the frame with the fabric. To attach the fabric use the upper Velcro fasteners first.
5. Finish wrapping the fabric around the Sukkah. Fasten over the lap.
6. Fasten the lower Velcro fasteners first, including those at the bottom of the door.
7. Fasten the middle Velcro fasteners.



PREMIUM SUKKAH :

The Premium Sukkah has four separate pieces of fabric for each wall. After you finish building the frame:

1. Choose the first wall you want to work with.
2. Take out the upper rod of that wall, slip the rod into the sleeve at the top of the fabric.
3. Fix the upper rod in place.
4. Stretch the fabric out and fasten the lower Velcro fasteners.
5. Repeat on the next piece of fabric .
6. Connect the the two fabrics with the zipper to make the corner
7. Complete assembling remaining sukkah walls.



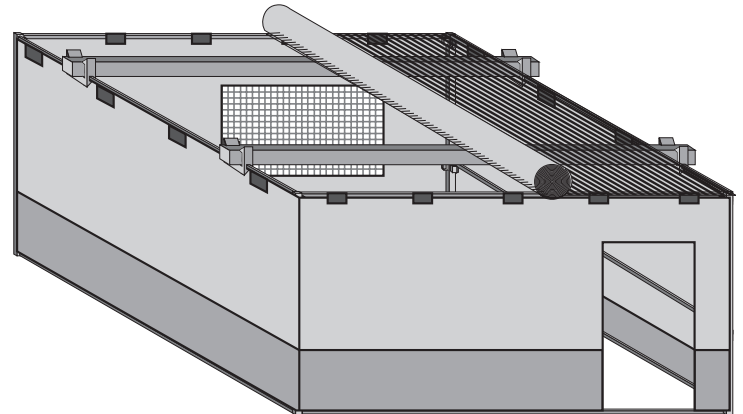
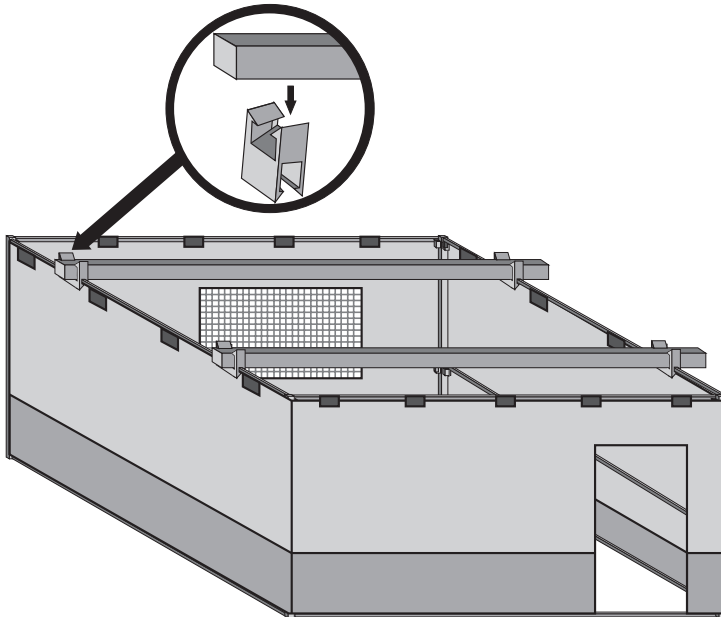
Step 3: Laying the Schach

1. Please make sure to finish constructing the Sukkah before laying the Schach, (obligatory according to the Halacha).

2. Laying wooden support beam or bamboo stick to support the Schach is highly recommended. In order to stabilize the wooden beams use the plastic holders.

3. Spread the Schach by unrolling it on the wooden support rods.

Congratulations, you have completed assembly of the Sukkah. We wish you Hag Suktot Samech.



Sukkah depot is not responsible to supply wood beam or bambo stick to support the schach

Sukkah Depot™

The EZ Lock Sukkah Line
Premium • Royal • Classic

1-855-SUKKAH-1
www.sukkahdepot.com