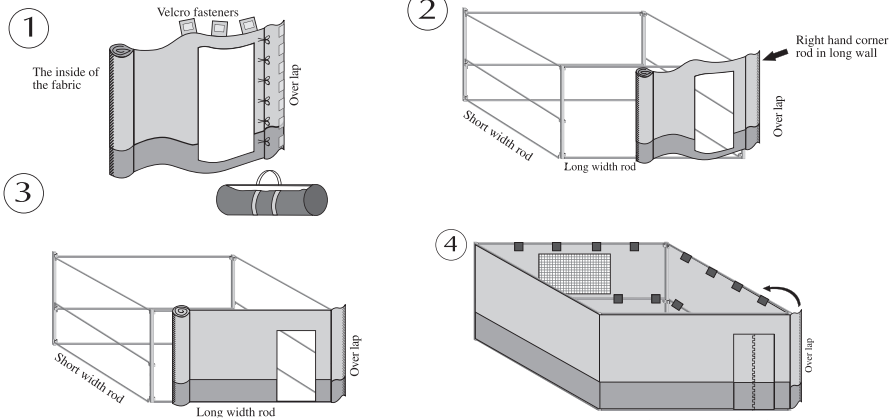


STEP 2. ATTACHING THE FABRIC

The Premium Sukkah has four separate pieces of fabric for each wall.

After you finish building the frame:

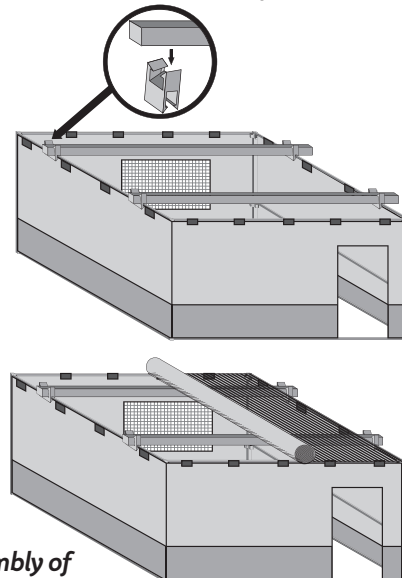
1. Choose the first wall you want to work with.
2. Take out the upper rod of that wall, slip the rod into the sleeve at the top of the fabric.
3. Fix the upper rod in place.
4. Stretch the fabric out and fasten the lower Velcro fasteners.
5. Repeat on the next piece of fabric .
6. Connect the the two fabrics with the zipper to make the corner
7. Complete assembling remaining sukkah walls.



STEP 3. LAYING THE SCHACH

1. Please make sure to finish constructing the Sukkah before laying the Schach. *(Obligatory according to Halacha)*
2. Laying the bamboo sticks (or the wooden support beams) to support the Schach is highly recommended. In order to stabilize the bamboo sticks use the bamboo holders.
3. Spread the Schach by unrolling it on the bamboo sticks.

Sukkah Depot is not responsible to supply bamboo sticks to support the schach if not ordered.



Congratulations! You have completed assembly of the Sukkah. We wish you a Chag Sukkot Sameach!

Sukkah Depot™

THE EZ PREMIUM SUKKAH

6'X8'
8' TALL

PARTS LIST

RODS

- 4 CORNER RODS
- 6 6' WIDTH RODS
- 5 8' WIDTH RODS

FABRIC

6 BAMBOO HOLDERS

Sukkah Depot™

1.855.SUKKAH-1
1-855-785-5241

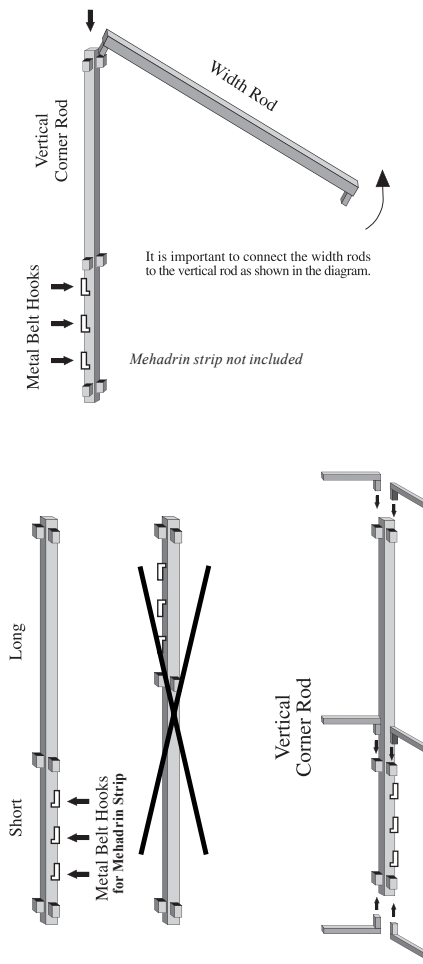
GENERAL INSTRUCTIONS

In this instruction booklet we recommend a method for constructing the Sukkah that we think is the easiest, fastest and most convenient. However, you can use any other method that achieves the desired result.

When planning the placement of the Sukkah, please take into consideration that it is recommended to place the door on the right side of the long wall.

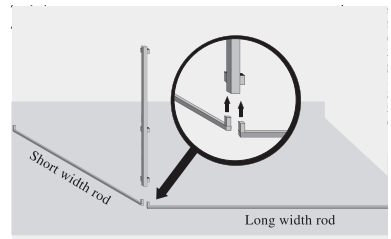
To avoid any damage to the metal frames, we recommend using a rubber mallet to connect the rods.

STEP 1: ASSEMBLY OF THE SUKKAH FRAME

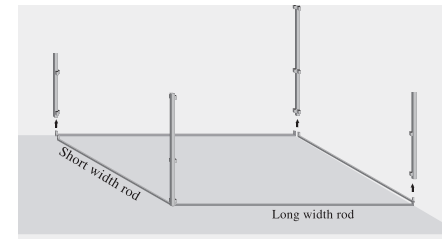


Every vertical rod is made of two unequal parts, long and short. Make sure when assembling the sukkah that the shorter part of the vertical rod is at the bottom.

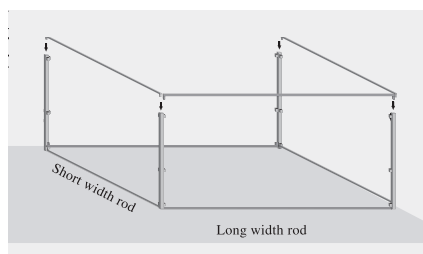
1. Start assembly at the corner.
2. Place the width rods on the ground in the right place with the pin facing upwards (see diagram).
3. Connect the corner rod to the width rod on the ground.



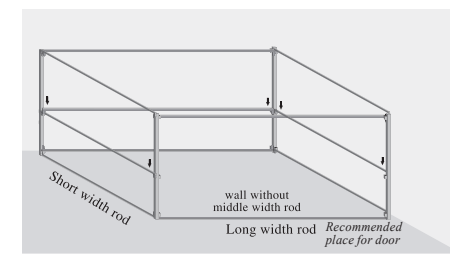
2. Repeat step 1 for the other corners



3. Connect the upper width rods as shown in diagram.



4. Connect the middle width rods on three sides. Do not attach a width rod in the middle of the longer wall where the door will be located.



Congratulations!
 You have finished constructing the frame of the Sukkah. For instructions on attaching the fabric and laying the Schach please see back page.